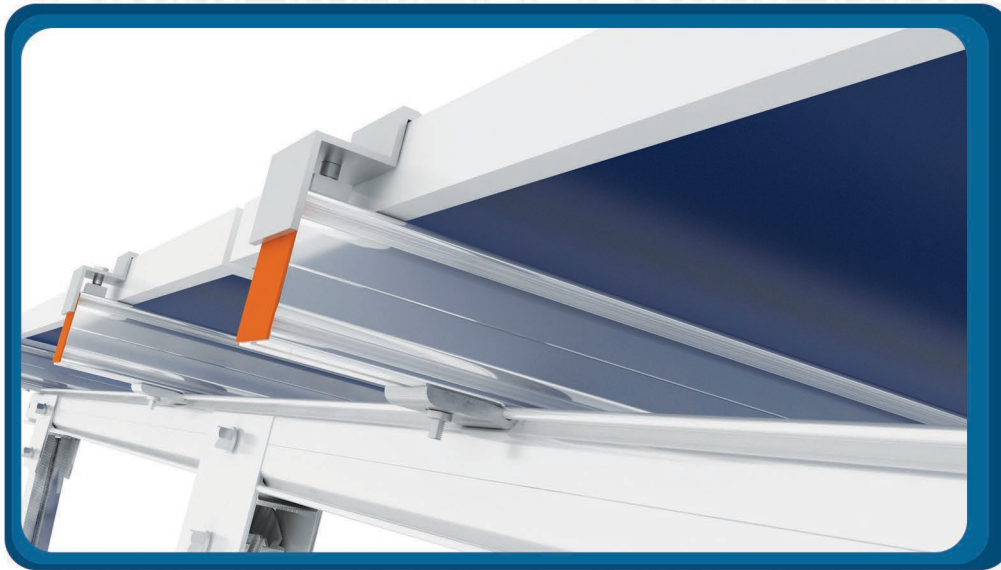


LASTING QUALITY LIKE SUN

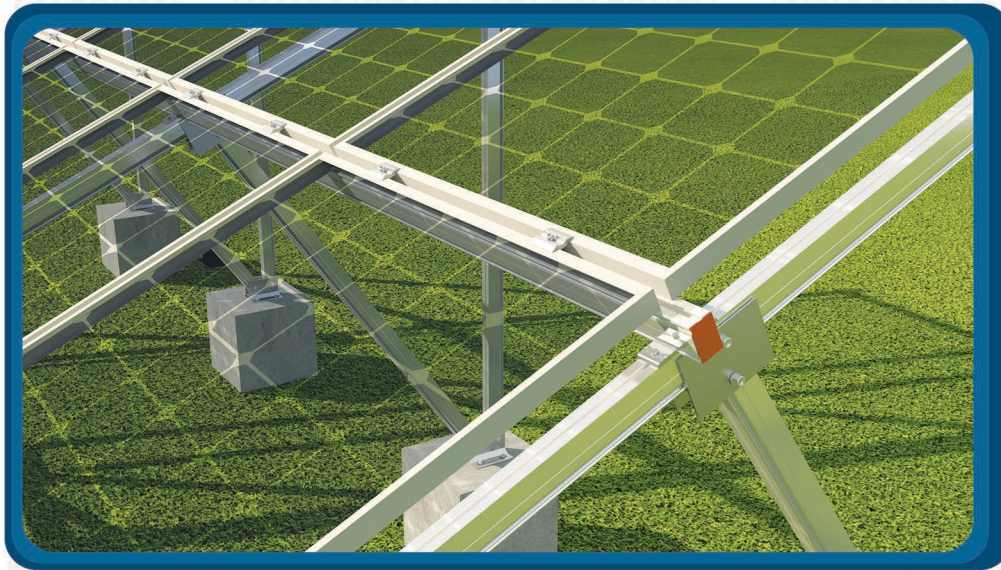
Who we are ?

SUN RACKS is providing standard and optimized preassembly solutions for the photovoltaic mounting system based on fully aluminum material with high resistance alloy (6082-T6 / 6005-T6-6063 T6) to fulfill all typologies needed for fixing all type of PV panels with all international specifications and standards.



Strategy

- Remain flexible and responsive
- Reduce our carbon footprint
- Remain cost competitive with fully imported alternatives with continues R&D
- Respond quickly to supply large solar projects on time and on spec.
- Provide logistical support quickly and easily
- Supply quality products conforming to international specs.



Products





Flat Roof



ATON

LS-40
 1LS/T-4040
ATON FREE PANEL
 1P-4040
 2P-4040
 LS-EW-40
 LS/T-EW-40
 2LS/T-4040



HORUS

1P-4060
 2P-4060
 2LS-4060
 LONG WING 4LS-4060
 LONG WING 2P - LG300
 LONG WING 4LS-4060 BIO
 LONG WING 2P - BIO



KINGTUT

3LS-40



Ground Mounted



ATON

2LS/T-4040
 2P-4040



ANUBIS

2P-GM-4060
 2P-GM-RAMMING 4060



HORUS

1P-4060
 2P-4060
 2LS-4060
 LONG WING 4LS-4060
 LONG WING 2P - LG300
 LONG WING 4LS-4060 BIO
 LONG WING 2P - BIO



KINGTUT

3LS-40



Industrial Roof



SOU

LANDSCAPE
 LIGHT LANDSCAPE
 ECO.
 LIGHT ECO.



SETI

LS-SETI-4060
 P-SETI-4060



LS-40



1LS/T-4040



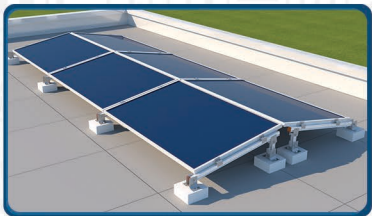
ATON FREE PANEL



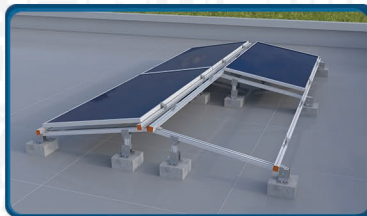
1P -4040



2P -4040



LS-EW-40



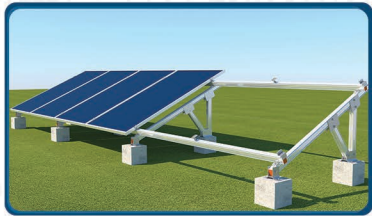
LS/T-EW-40



2LS/T-4040

5

SUN RACKS



1P-4060



2P-4060



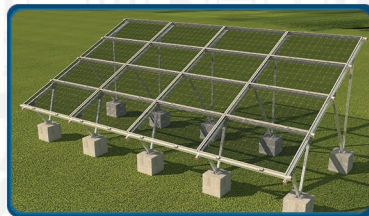
2LS-4060



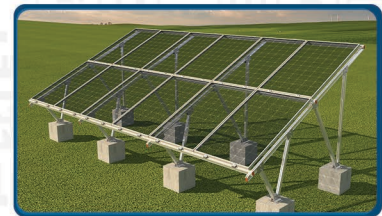
LONG WING 4LS-4060



LONG WING 2P-LG300



LONG WING 4LS-4060 BIO



LONG WING 2P-BIO



3LS-40



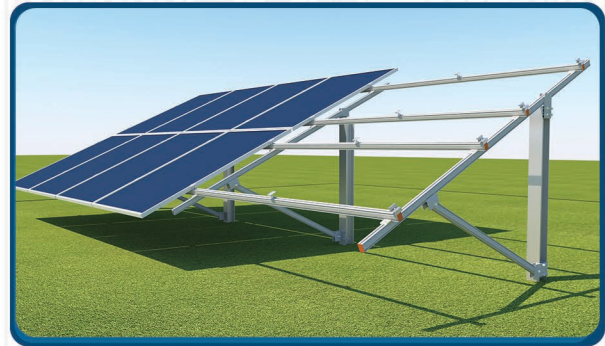
3LS-40



ANUBIS



2P-GM-4060

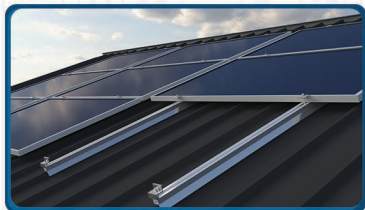


2P-GM-RAMMING 4060

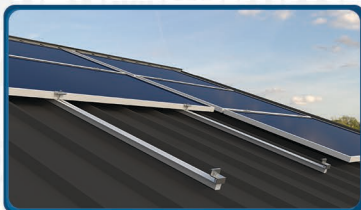
Industrial Roof



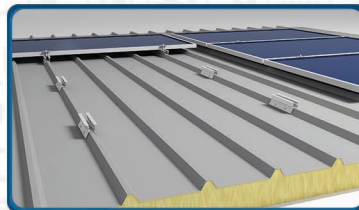
SOU



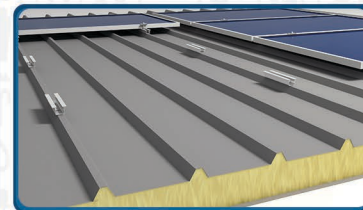
SOU LANDSCAPE



SOU LIGHT LANDSCAPE



SOU ECO



SOU LIGHT ECO



SETI



LS-SETI-4060



SETI P-SETI-4060

ATON LS-40

DESCRIPTION:

Rooftop landscape single row without transom bars standard span between triangles 1.8 meter

MATERIAL:

Profile 4x4, alloy 6082-T6
& stainless-steel accessories A2-304

For Sea Side

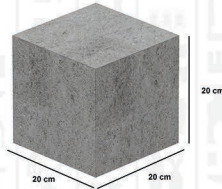
Anodized aluminum & stainless-steel accessories A4-316

ADVANTAGES:

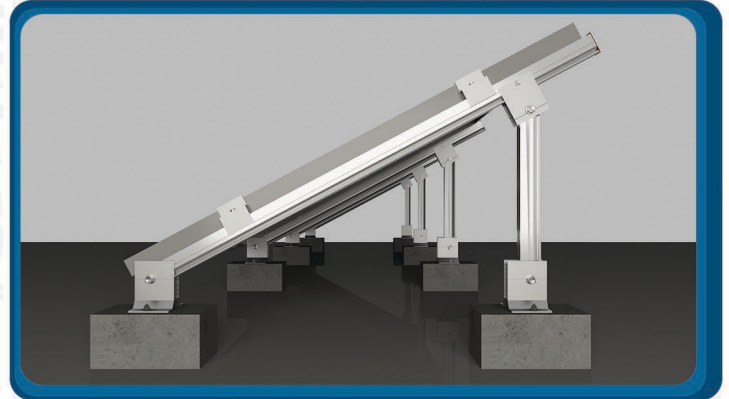
- Light weight
- Low cost
- Simple installation
- Low shading losses



SUPPORTED
FOR 60 CELLS



CONCRETE BASE
(Recommended)





ATON 1LS/T-4040

DESCRIPTION:

Rooftop landscape single row with two transom bars standard span between triangles 1.8 meter

MATERIAL:

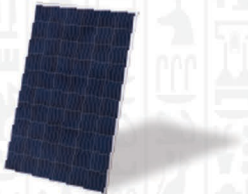
Profile 4x4, alloy 6082-T6
& stainless-steel accessories A2-304

For Sea Side

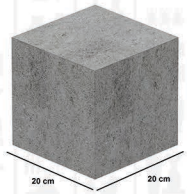
Anodized aluminum & stainless-steel
accessories A4-316

ADVANTAGES:

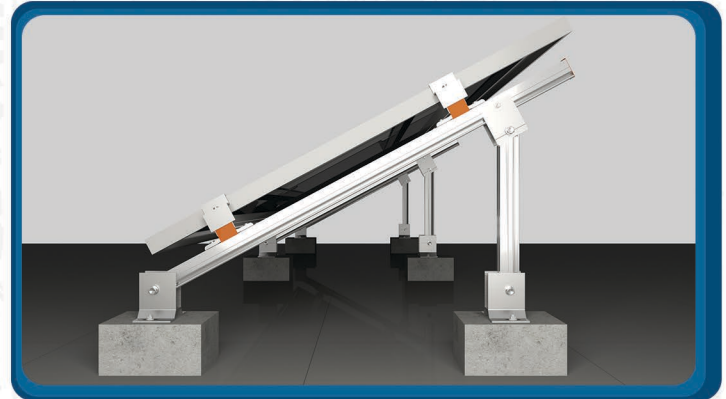
- Light weight
- Low cost
- Simple installation
- Low shading losses



SUPPORTED
FOR 60 & 72 CELLS



CONCRETE BASE
(Recommended)



ATON FREE PANEL

DESCRIPTION:

Rooftop landscape single row without transom bars.

MATERIAL:

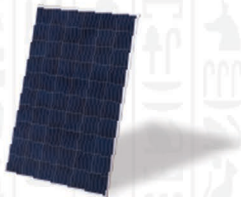
Aluminum profile 4x4, alloy 6082-T6 MF or anodized & stainless-steel accessories A2-304

For Sea Side

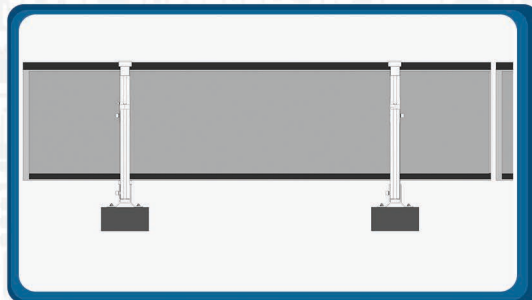
Anodized aluminum & stainless-steel accessories A4-316

ADVANTAGES:

- Light weight
- Low cost
- Simple installation
- Low shading losses



SUPPORTED
FOR 60 & 72 CELLS



Back view



Side view

ATON 1P -4040

DESCRIPTION:

Rooftop landscape single row with two transom bars standard span between triangles 1.8 meter

MATERIAL:

Profile 4x4, alloy 6082-T6
& stainless-steel accessories A2-304

For Sea Side

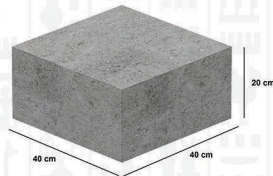
Anodized aluminum & stainless-steel accessories A4-316

ADVANTAGES:

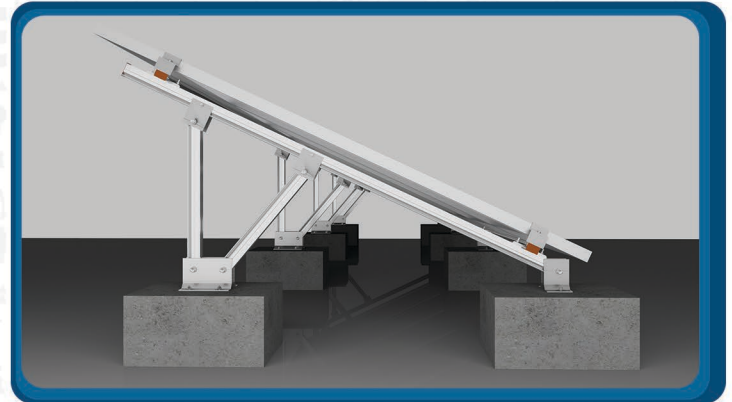
- Light weight
- Low cost
- Simple installation
- Low shading losses



SUPPORTED
FOR 60 & 72 CELLS



CONCRETE BASE
(Recommended)



ATON 2P -4040

DESCRIPTION:

Flat roof / Ground mounted two portraits standard span between triangles 1.8 meter

MATERIAL:

Profile 4x4, alloy 6082-T6
& stainless-steel accessories A2-304

For Sea Side

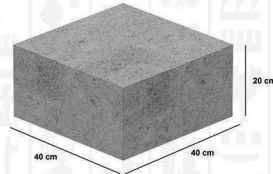
Anodized aluminum & stainless-steel accessories A4-316

ADVANTAGES:

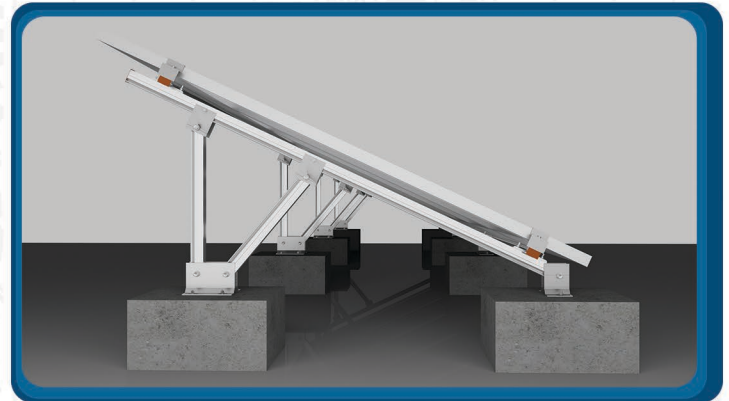
- Maximum energy yield
- Low cost
- Simple installation



SUPPORTED
FOR 60 & 72 CELLS



CONCRETE BASE
(Recommended)





ATON LS-EW-40

DESCRIPTION:

Rooftop east-west single row without transom bars (for 60 cell pv)

MATERIAL:

Profile 4x4, Alloy 6082-T6
& Stainless-steel accessories A2-304

For Sea Side

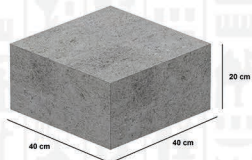
Anodized aluminum & stainless-steel
accessories A4-316

ADVANTAGES:

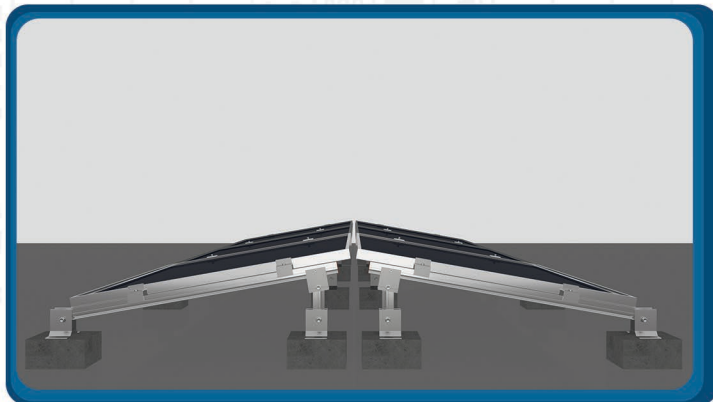
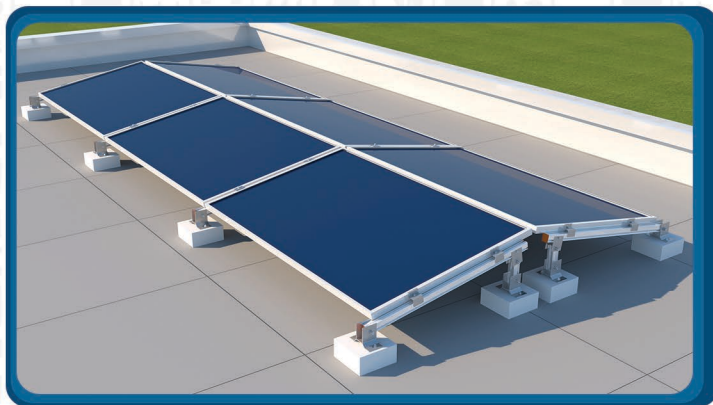
- Light weight
- Low cost
- Simple installation
- Low shading losses
- Uniform energy distribution over the day



SUPPORTED
FOR 60 CELLS



CONCRETE BASE
(Recommended)



15

SUN RACKS



ATON LS/T-EW-40

DESCRIPTION:

Rooftop east-west single row with two transom bars standard span between triangles 1.8 meter

MATERIAL:

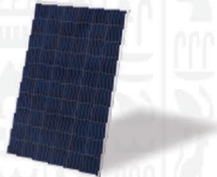
Profile 4x4, alloy 6082-T6
& stainless-steel accessories A2-304

For Sea Side

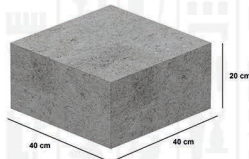
Anodized aluminum & stainless-steel accessories A4-316

ADVANTAGES:

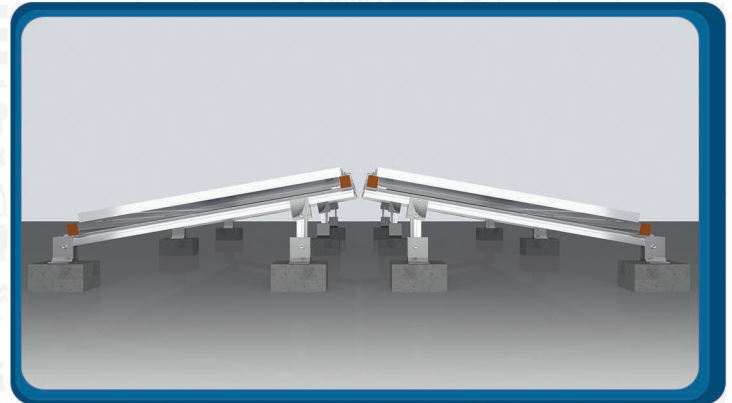
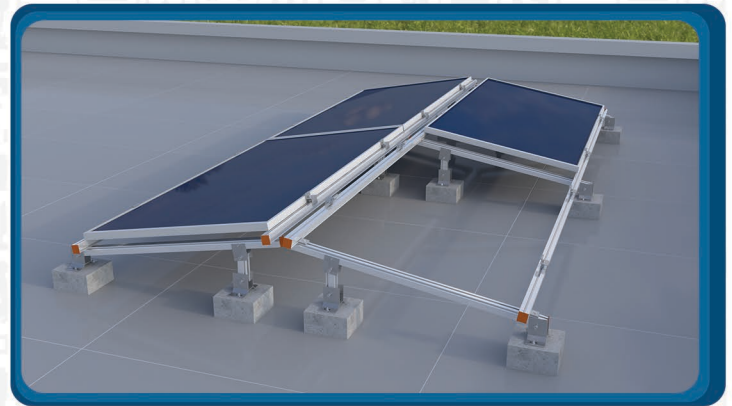
- Light weight
- Low cost
- Simple installation
- Low shading losses
- Uniform energy distribution over the day



SUPPORTED
FOR 60 & 72 CELLS



CONCRETE BASE
(Recommended)





ATON 2LS/T-4040

DESCRIPTION:

Flat roof / Ground mounted two landscape standard span between triangles 1.8 meter

MATERIAL:

Profile 4x4, alloy 6082-T6
& stainless-steel accessories A2-304

For Sea Side

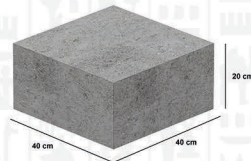
Anodized aluminum & stainless-steel
accessories A4-316

ADVANTAGES:

- Maximum energy yield
- Low cost
- Simple installation
- Low shading losses



SUPPORTED
FOR 60 CELLS



CONCRETE BASE
(Recommended)



17

SUN RACKS



HORUS 1P-4060

DESCRIPTION:

Flat roof / Ground mounted one portrait standard span between triangles 2.5 meter

MATERIAL:

Profile 4x6, alloy 6082-T6
& stainless-steel accessories A2-304

For Sea Side

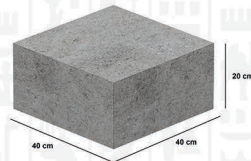
Anodized aluminum & stainless-steel accessories A4-316

ADVANTAGES:

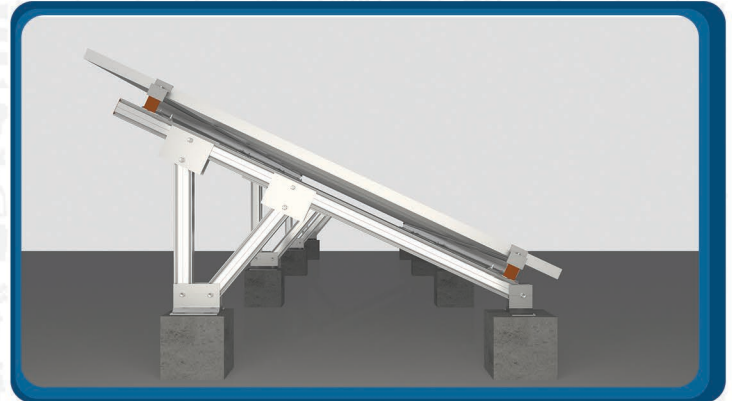
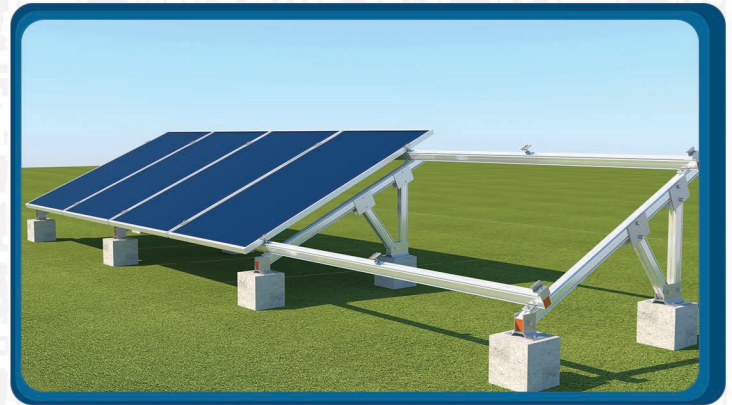
- Maximum energy yield
- Low cost
- Simple installation



SUPPORTED
FOR 60 & 72 CELLS



CONCRETE BASE
(Recommended)





HORUS 2P-4060

DESCRIPTION:

Flat roof / Ground mounted two portraits standard span between triangles 2.5 meter

MATERIAL:

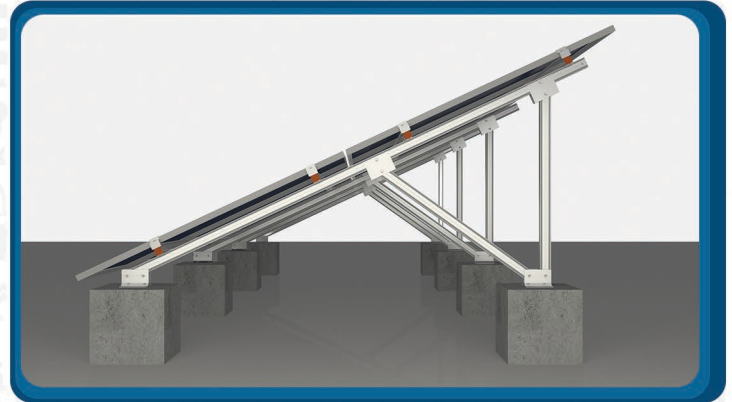
Profile 4x6, alloy 6082-T6
& stainless-steel accessories A2-304

For Sea Side

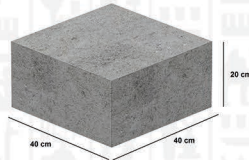
Anodized aluminum & stainless-steel accessories A4-316

ADVANTAGES:

- Maximum energy yield
- Low cost
- Simple installation



SUPPORTED
FOR 60 & 72 CELLS



CONCRETE BASE
(Recommended)



HORUS 2LS-4060

DESCRIPTION:

Flat roof / Ground mounted two landscape standard span between triangles 2.5 meter

MATERIAL:

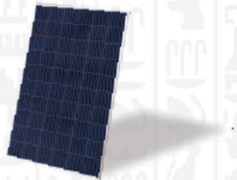
Profile 4x6, Alloy 6082-T6
& stainless-steel accessories A2-304

For Sea Side

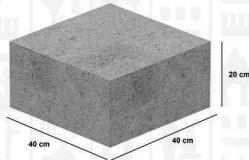
Anodized aluminum & stainless-steel accessories A4-316

ADVANTAGES:

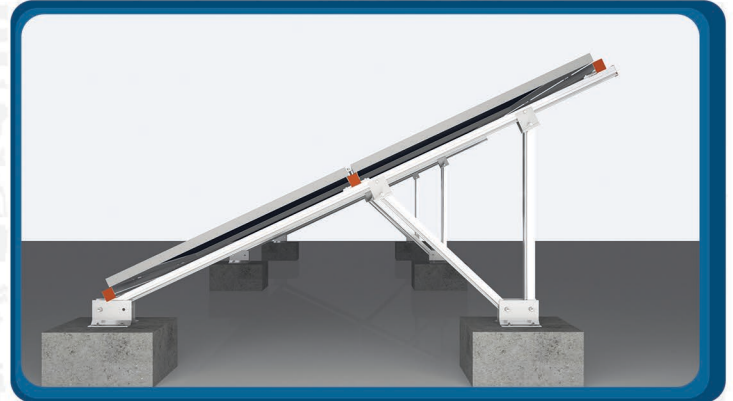
- Maximum energy yield
- Low cost
- Simple installation



SUPPORTED
FOR 60 & 72 CELLS



CONCRETE BASE
(Recommended)



20

SUN RACKS



HORUS-LONG WING

4 LS-4060

DESCRIPTION:

Ground mounted 4 landscape standard span between triangles 2.5 meter

MATERIAL:

Profile 4x6, alloy 6082-T6
& stainless-steel accessories A2-304

For Sea Side

Anodized aluminum & stainless-steel accessories A4-316

ADVANTAGES:

- Maximum energy yield
- Low cost
- Simple installation



SUPPORTED
FOR 60 & 72 CELLS





HORUS – LONG WING 2P-LG300

DESCRIPTION:

Ground mounted two portraits standard span
between triangles 3.25 meter

MATERIAL:

Profile 5x10, alloy 6082-T6
& stainless-steel accessories A2-304

For Sea Side

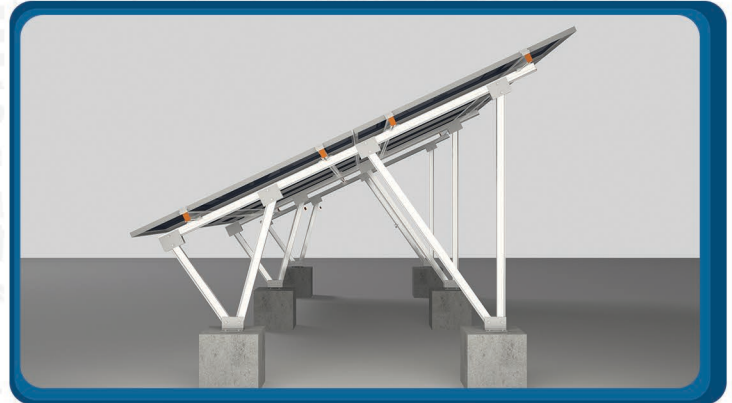
Anodized aluminum & stainless-steel
accessories A4-316

ADVANTAGES:

- Maximum energy yield
- High wind resistance
- Simple installation
- Saving civil work



SUPPORTED
FOR 60 & 72 CELLS





HORUS-LONG WING 4 LS-4060 BIO

DESCRIPTION:

Ground mounted 4 landscape standard span between triangles 2 meter

MATERIAL:

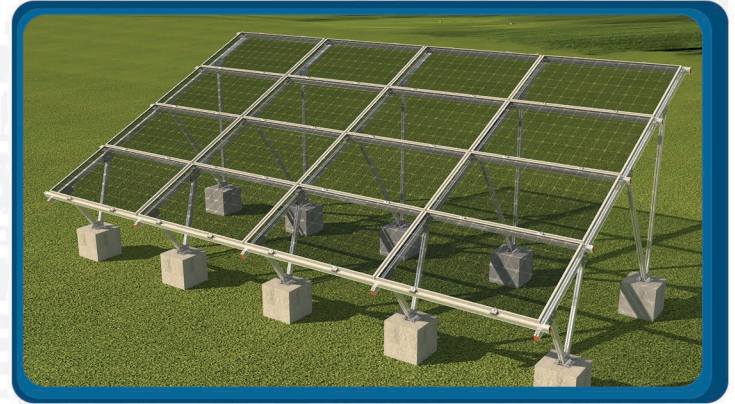
Profile 5x10, alloy 6082-T6 & stainless-steel accessories A2-304

For Sea Side

Anodized aluminum & stainless-steel accessories A4-316

ADVANTAGES:

- Maximum energy yield
- High wind resistance
- Simple installation
- Saving civil work





HORUS-LONGWING 2P - BIO

DESCRIPTION:

Ground mounted two portraits standard span between triangles 2 meter

MATERIAL:

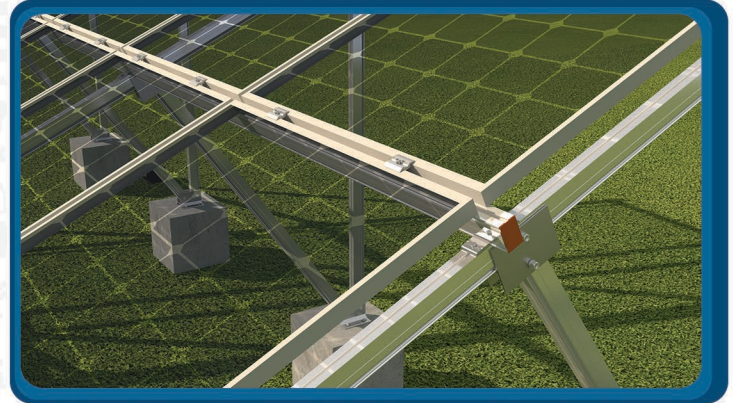
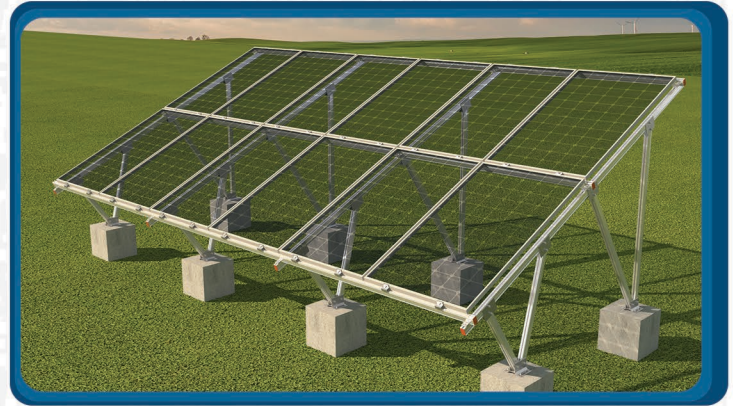
Profile 5x10, alloy 6082-T6 & stainless-steel accessories A2-304

For Sea Side

Anodized aluminum & stainless-steel accessories A4-316

ADVANTAGES:

- Maximum energy yield
- High wind resistance
- Simple installation
- Saving civil work





SETI LS-SETI-4060

DESCRIPTION:

Industrial roof corrugated sheet landscape

MATERIAL:

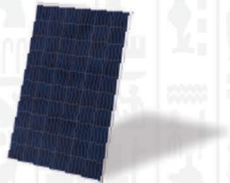
Profile 4x6, alloy 6082-T6
& stainless-steel accessories A2-304

For Sea Side

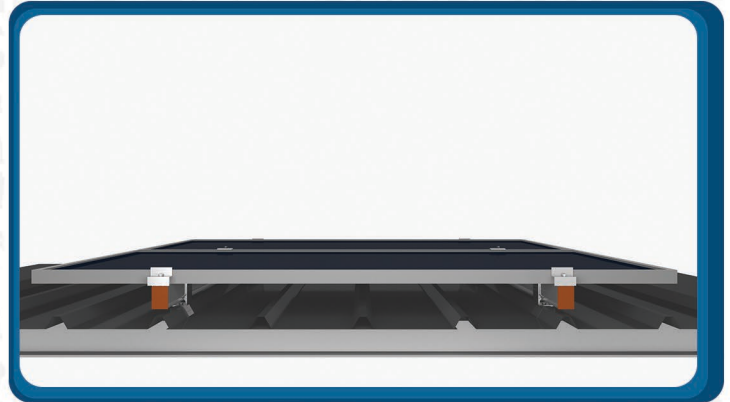
Anodized aluminum & stainless-steel accessories A4-316

ADVANTAGES:

- High wind speed resistance
- Low cost
- Simple installation
- Suitable for standard corrugated sheet dimensions



SUPPORTED
FOR 60 & 72 CELLS



25

SUN RACKS



SETI P-SETI-4060

DESCRIPTION:

Industrial roof corrugated sheet portraits.

MATERIAL:

Profile 4x6, alloy 6082-T6
& stainless-steel accessories A2-304

For Sea Side

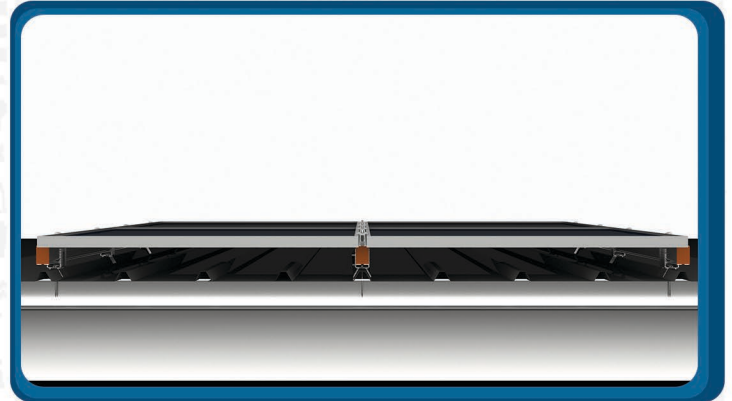
Anodized aluminum & stainless-steel
accessories A4-316

ADVANTAGES:

- High wind speed resistance
- Low cost
- Simple installation
- Suitable for standard corrugated sheet dimensions



SUPPORTED
FOR 60 & 72 CELLS





SOU LANDSCAPE

DESCRIPTION:

Industrial roof corrugated sheet landscape

MATERIAL:

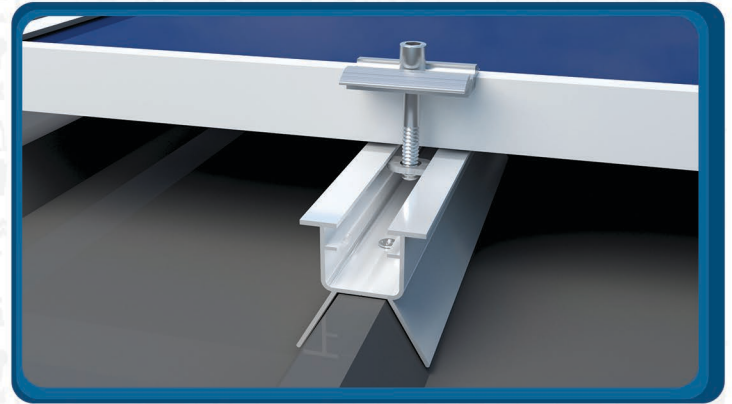
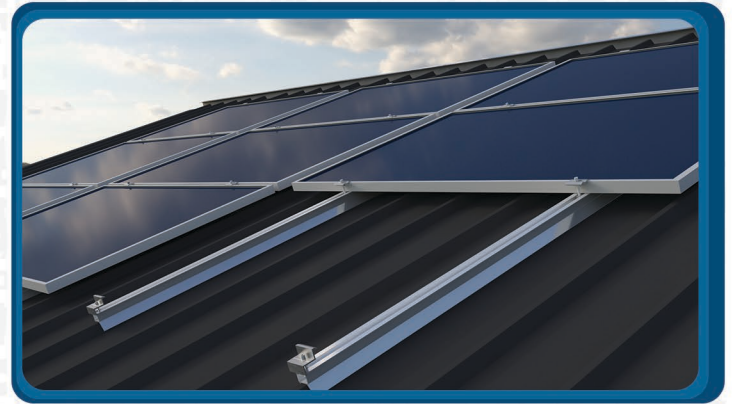
Profile 4x6, alloy 6082-T6
& stainless-steel accessories A2-304

For Sea Side

Anodized aluminum & stainless-steel
accessories A4-316

ADVANTAGES:

- High wind speed resistance
- Low cost
- Simple installation
- Suitable for standard corrugated sheet dimensions





SOU LIGHT LANDSCAPE

DESCRIPTION:

Industrial roof corrugated sheet landscape

MATERIAL:

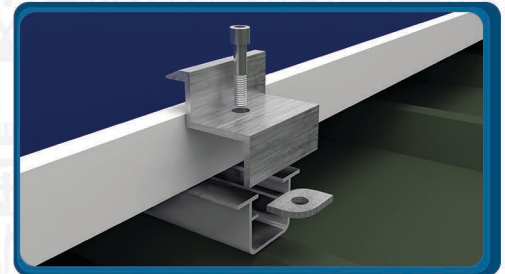
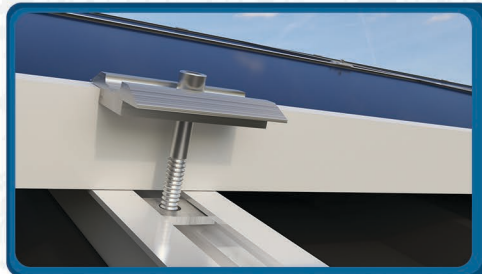
Aluminium profile, alloy 6082-T6 & stainless-steel accessories A2-304

For Sea Side

Anodized aluminum & stainless-steel accessories A4-316

ADVANTAGES:

- High wind speed resistance
- Low cost
- Simple installation
- Suitable for standard corrugated sheet dimensions





SOU ECO

DESCRIPTION:

Sandwich panel corrugated sheet landscape

MATERIAL:

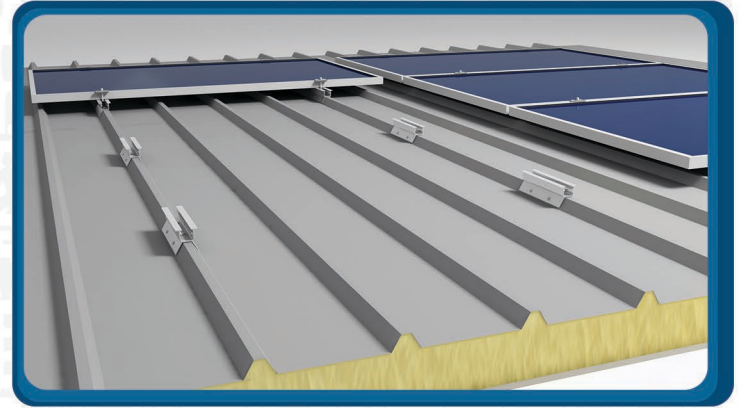
Aluminium profile, alloy 6082-T6
& stainless-steel accessories A2-304

For Sea Side

Anodized aluminum & stainless-steel
accessories A4-316

ADVANTAGES:

- High wind speed resistance
- Low cost
- Simple installation
- Suitable for standard corrugated sheet dimensions





SOU LIGHT ECO

DESCRIPTION:

Sandwich panel corrugated sheet landscape

MATERIAL:

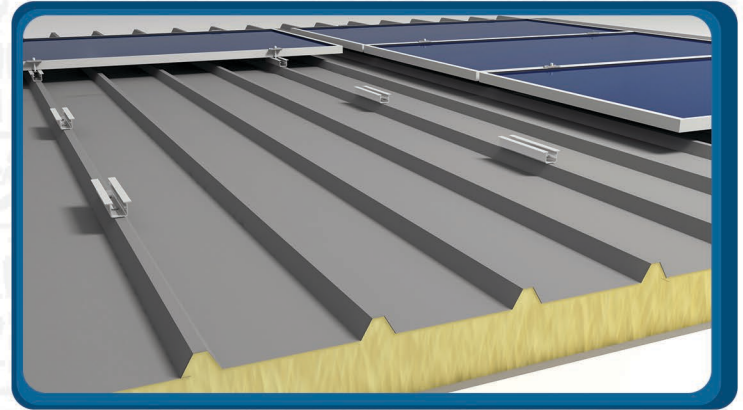
Aluminium profile, alloy 6082-T6
& stainless-steel accessories A2-304

For Sea Side

Anodized aluminum & stainless-steel
accessories A4-316

ADVANTAGES:

- High wind speed resistance
- Low cost
- Simple installation
- Suitable for standard Sandwich panel corrugated sheet dimension





ANUBIS 2P-GM-4060

DESCRIPTION:

Ground mounted two portraits standard span between triangles 2.5 meter

MATERIAL:

Profile 4x6, alloy 6082-T6
& stainless-steel accessories A2-304

For Sea Side

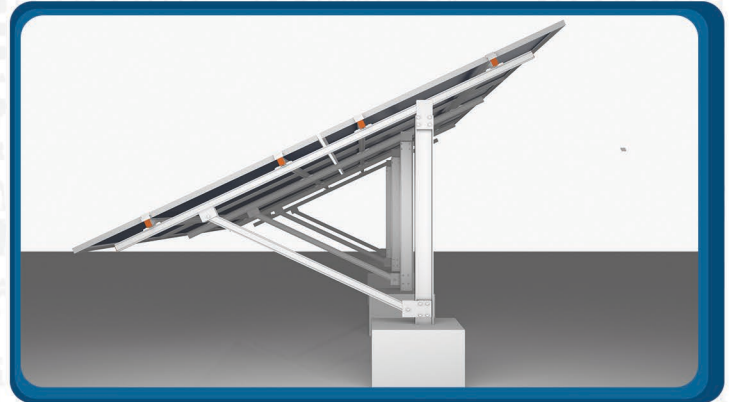
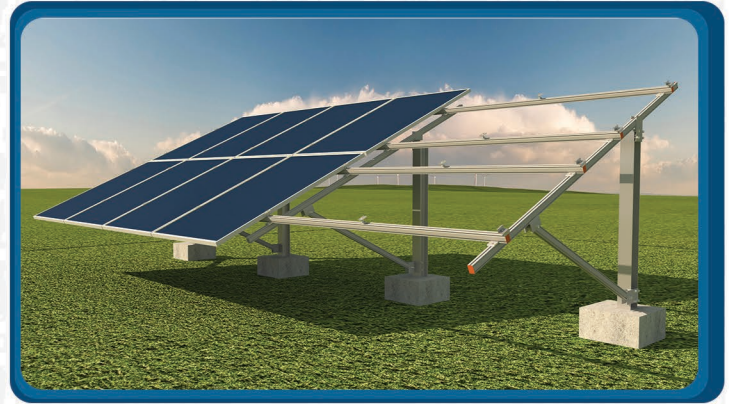
Anodized aluminum & stainless-steel accessories A4-316

ADVANTAGES:

- Maximum energy yield
- Low cost
- Simple installation



SUPPORTED
FOR 60 & 72 CELLS





ANUBIS 2P-GM- RAMMING 4060

DESCRIPTION:

Ground mounted two portraits tandard span between triangles 2.5 meter

MATERIAL:

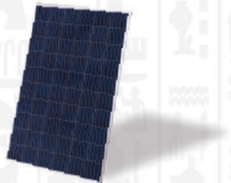
Profile 4x6, alloy 6082-T6
& stainless-steel accessories A2-304

For Sea Side

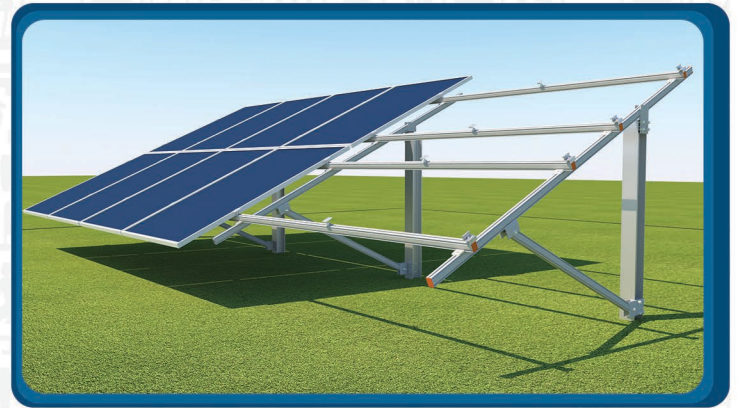
Anodized aluminum & stainless-steel accessories A4-316

ADVANTAGES:

- Maximum energy yield
- Low cost
- Simple installation



SUPPORTED
FOR 60 & 72 CELLS



TUT 3LS-40

DESCRIPTION:

Flat roof / Ground mounted 3 landscape between triangles 1.8 meter

MATERIAL:

Profile 4x4, alloy 6082-T6
& stainless-steel accessories A2-304.

For Sea Side

Anodized aluminum & stainless-steel accessories A4-316

ADVANTAGES:

- Maximum energy yield
- Low cost
- Simple installation



SUPPORTED
FOR 60 CELLS



33

SUN RACKS

SPECIAL APPLICATION



Wall Mounted Solar Panel 1LS



Carport



Pergola



Wall Mounted Solar Panel 3LS



Tile Roof



Self Ballasted Solution

For more information visit our website / www.sunracks.net



+2 02 38242034
+2 01096577955



info@sunracks.net



www.sunracks.net



Plot 202 third zone extension,
industrial zone,6 of October,
Giza, Egypt



@SunRacks



LASTING QUALITY LIKE SUN